

# Solenoid valve 2/2 way N.C. Direct acting Explosion proof - Atex Ex d

21LN2KIV25  
÷  
21LN2KIV55

## PRESENTATION:

Direct acting S.V. for interception of fluids compatible with the construction materials. Aluminium coil housing, explosion proof "Ex d". Electrical and electromechanical components according to Atex Directive 94/9/CE  
Minimum operational pressure is not required.  
The materials used and the tests carried out ensure maximum reliability and duration.

**USE:** Potentially explosive atmospheres  
Zone 1, 2, 21, 22

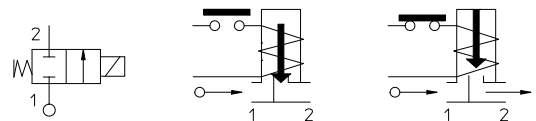
**PIPES:** NPT 1/4

**COIL:** 8W - Ø 13  
BDA 155°C (class F)

Max. allowable pressure (PS) 40 bar  
Housing ambient temperature - 40°C + 60°C



Gaskets	Temperature		Medium
V=FKM (fluoroelastomer)	- 10°C	+ 80°C	Demineralized water, syrups, chemical products compatible with stainless steel



Pipe ISO 228/11	Code	Max viscosity		Ø mm	Kv l/mn	Power (watt)	Pressure		
		cSt	°E				min bar	M.O.P.D. AC bar DC bar	
NPT 1/4	21LN2KIV25	53	~ 7	2,5	3,2	8	0	14	9
	21LN2KIV30			3	4			10	6
	21LN2KIV40			4	5			6	1,7
	21LN2KIV55			5,5	9			3,5	1



(According to Directive 94/9/CE ATEX )  
II 2G Ex d II C T6  
II 2D Ex tD A21 IP67 80°C

## MATERIALS

<b>Body</b>	Stainless steel AISI 316
<b>Armature tube</b>	Stainless steel AISI series 300
<b>Fixed core</b>	Stainless steel AISI series 400
<b>Plunger</b>	Stainless steel AISI series 400
<b>Phase displacement ring</b>	Gold plated copper
<b>Spring</b>	Stainless steel AISI series 300
<b>Seal</b>	V=FKM
<b>Orifice</b>	Stainless steel AISI 316
<b>Housing</b>	Aluminium die cast

**Connector conformity** ISO 4400

## FEATURES:

**Electrical conformity** IEC 335

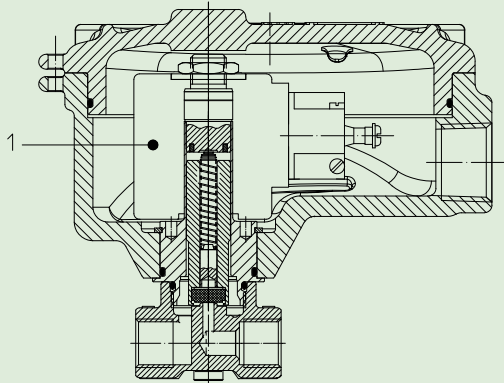
## SPARE PARTS:

### 1. Coil:

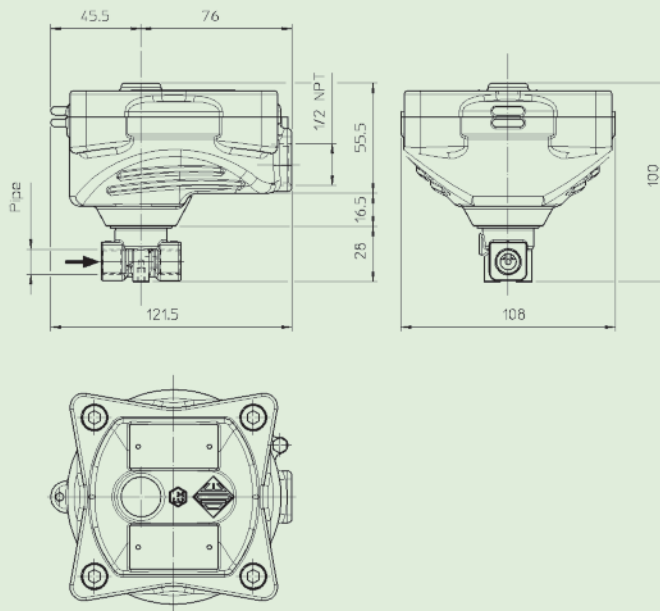
BDA08012CS  
 BDA08024CS  
 BDA08024DS  
 BDA08048AS  
 BDA08048CS  
 BDA08110CS  
 BDA08110DS  
 BDA08223DS

### ACCESSORIES:

Code P992219 Cable Gland  
 (to be ordered separately)



## DIMENSIONS:



COIL TYPE	POWER ABSORPTION		
	W =	Hold VA ~	Inrush VA ~
B	8	14,5	25